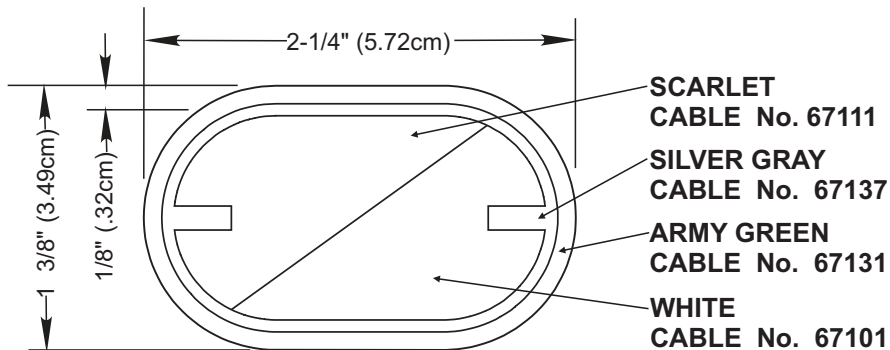


REVISIONS

LTR	DESCRIPTION	DATE	APPROVED
-----	-------------	------	----------



DESIGNED FOR OVEREDGE STITCHING

UNLESS OTHERWISE SPECIFIED DIMENSIONS ARE IN INCHES
TOLERANCES ON FRACTIONS DECIMALS ANGLES

EXAMINED	<i>SWH</i>	
CHECKED	pm	
PREPARED	GS	

APPROVED
Charles V. Mugno
CHARLES V. MUGNO
DIRECTOR

THE INSTITUTE OF HERALDRY, DEPARTMENT OF THE ARMY
9325 GUNSTON RD, RM S-112 FORT BELVOIR, VA 22060-5579

BACKGROUND TRIMMING FOR
1ST SQUADRON,
33D CAVALRY REGIMENT

SIZE	CONTROL IDENT. NO	
A	22571	A-6-257
SCALE	FULL	DATE
		23 FEBRUARY 2007

MATERIALS:
TO BE MANUFACTURED IN ACCORDANCE WITH MIL-DTL-14652