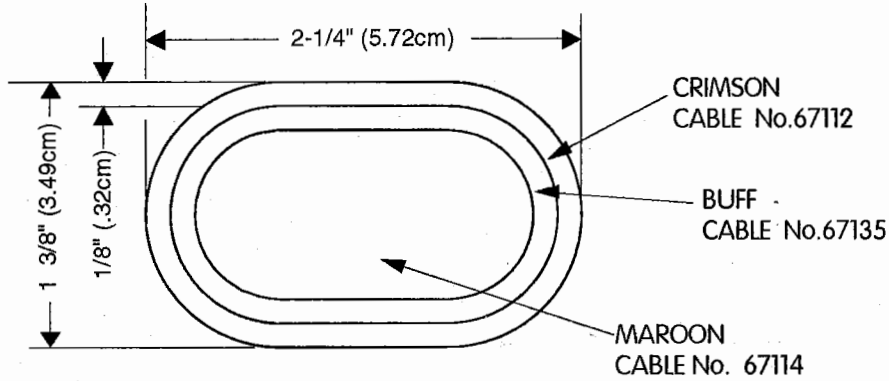


**REVISIONS**

LTR	DESCRIPTION	DATE	APPROVED
-----	-------------	------	----------



DESIGNED FOR OVEREDGE STITCHING

UNLESS OTHERWISE SPECIFIED DIMENSIONS ARE IN INCHES TOLERANCES ON FRACTIONS DECIMALS ANGLES

MATERIALS: TO BE MANUFACTURED IN ACCORDANCE WITH MIL-1-14652

EXAMINED	<i>VP</i>	
CHECKED	<b>JH</b>	
PREPARED	<b>JH</b>	
APPROVED	<i>G.T. Luchino</i>	
	GERALD T. LUCHINO DIRECTOR	

**THE INSTITUTE OF HERALDRY, U.S. ARMY**  
9325 GUNSTON RD. S-112 FORT BELVOIR, VA 22060-5579

BACKGROUND TRIMMING  
**526TH FORWARD SUPPORT BATTALION**

SIZE	CONTROL IDENT. NO	<b>A - 6 - 177</b>
<b>A</b>	<b>22571</b>	
SCALE	DATE	<b>30 DECEMBER 1994</b>
<b>FULL</b>		

D  
C  
B  
A