



**DEPARTMENT OF THE ARMY**  
THE INSTITUTE OF HERALDRY  
9325 GUNSTON ROAD, ROOM S112  
FORT BELVOIR, VIRGINIA 22060-5579

AAHS-IHS (840-10a)

29 August 2017

MEMORANDUM FOR Commander, 722d Ordnance Company, ATTN: 1LT Dillon Brennan, BLDG M-7223 Transportation Street, Fort Bragg, NC 28310

SUBJECT: Beret Flash and Background Trimming for 722d Ordnance Company

1. The request for a beret flash and background trimming for 722d Company, is approved. Forwarded for your organizational records is the authorization letter (encl 1).
2. Also enclosed for use in procurement of the items are:
  - a. Manufacturing drawings for the flash and trimming (TIOH Dwg. No. A-4-314 and A-6-341) (encls 2 and 3).
  - b. Color prints and black and white line drawings of the flash and trimming (encls 4 and 5).
  - c. A list of certified manufacturers and procedures for local procurement of insignia (encls 6 and 7).
3. The POC is Mr. Keith Garrison at (703) 806-4972 or [keith.a.garrison6.civ@mail.mil](mailto:keith.a.garrison6.civ@mail.mil).

7 Encls  
as

MUGNO.CHARLES.V.1  
020723374  
CHARLES V. MUGNO  
Director

Digitally signed by MUGNO.CHARLES.V.1020723374  
DN: c=US, o=U.S. Government, ou=DoD, ou=PR, ou=USA, cn=MUGNO.CHARLES.V.1020723374  
Date: 2017.08.29 12:03:52 -0400

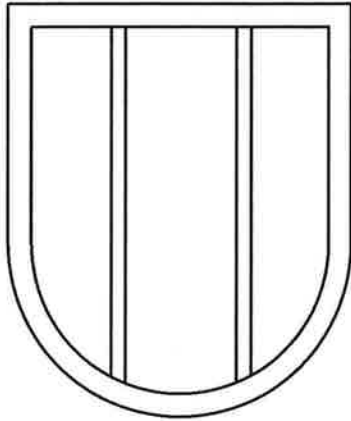


*FLASH*

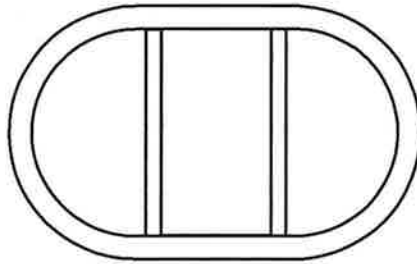


*TRIM*

***FLASH and TRIM***  
**722D ORDNANCE COMPANY**



FLASH

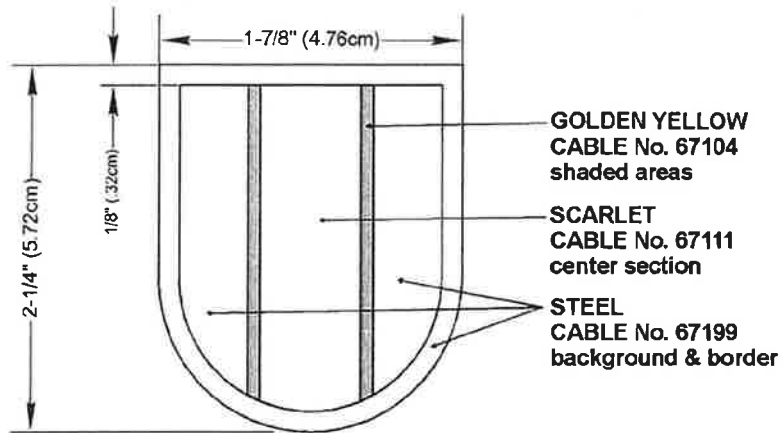


TRIM

***FLASH and TRIM***  
**722d ORDNANCE COMPANY**

**REVISIONS**

LTR	DESCRIPTION	DATE	APPROVED
-----	-------------	------	----------



**DESIGNED FOR OVEREDGE STITCHING**

UNLESS OTHERWISE SPECIFIED DIMENSIONS ARE IN INCHES TOLERANCES ON FRACTIONS DECIMALS ANGLES

MATERIALS:  
TO BE MANUFACTURED IN ACCORDANCE WITH MIL-DTL-14652

EXAMINED	<i>[Signature]</i>
CHECKED	<i>[Signature]</i>
PREPARED	CA/CLN
APPROVED	

MUGNO CHARLES V.1020  
723374

CHARLES V. MUGNO  
DIRECTOR

THE INSTITUTE OF HERALDRY, DEPARTMENT OF THE ARMY  
9325 GUNSTON RD, RM S-113 FORT BELVOIR, VA 22060-5579

BERET FLASH FOR

**722D ORDNANCE COMPANY**

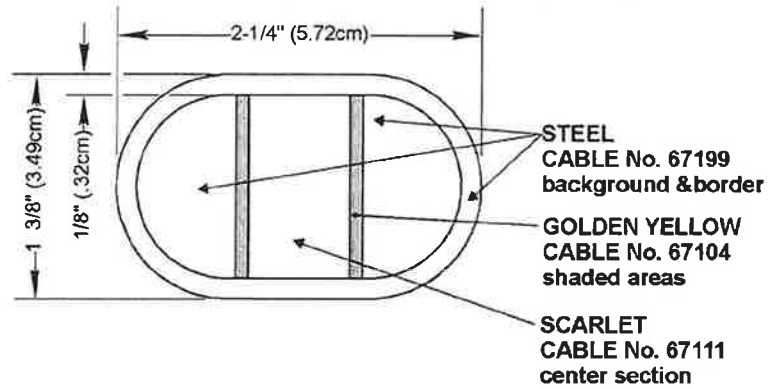
SIZE CONTROL IDENT. NO  
**A 22571**

**A-4-314**

SCALE FULL DATE **22 AUGUST 2017**

**REVISIONS**

LTR	DESCRIPTION	DATE	APPROVED
-----	-------------	------	----------



**DESIGNED FOR OVEREDGE STITCHING**

UNLESS OTHERWISE SPECIFIED DIMENSIONS ARE IN INCHES TOLERANCES ON FRACTIONS DECIMALS ANGLES

MATERIALS:  
TO BE MANUFACTURED IN ACCORDANCE WITH MIL-DTL-14852

EXAMINED	<i>SAE</i>
CHECKED	<i>CA</i>
PREPARED	<i>CA/CLN</i>
APPROVED	

MUGNO, CHARLES V. 10 20723374

CHARLES V. MUGNO  
DIRECTOR

THE INSTITUTE OF HERALDRY, DEPARTMENT OF THE ARMY  
9325 GUNSTON RD, RM S-113 FORT BELVOIR, VA 22060-5579

BACKGROUND TRIMMING FOR

**722D ORDNANCE COMPANY**

SIZE CONTROL IDENT NO  
**A 22571**

**A-6-341**

SCALE FULL DATE

**22 AUGUST 2017**