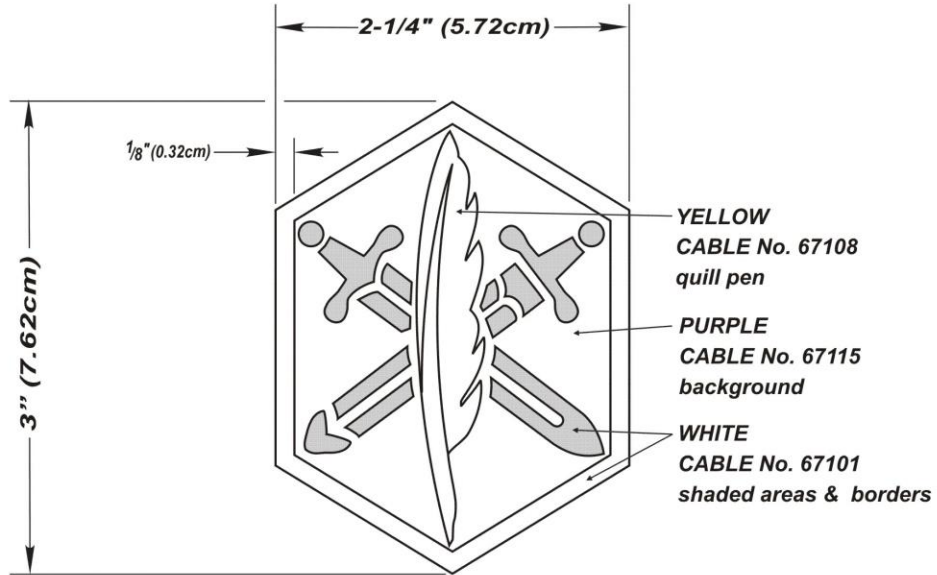


FOR SUBDUED INSIGNIA

ACU:
 BACKGROUND & BORDER TO BE
 FOLIAGE GREEN 67202. SWORDS AND
 QUILL PEN TO BE BLACK 67138.

REVISIONS			
LTR	DESCRIPTION	DATE	APPROVED



DESIGNED FOR OVEREDGE STITCHING

STITCH COUNT
 7691 STITCHES (minimum)
 100/2 DENIER
 12/4 SPAN

FORMERLY 362D CIVIL AFFAIRS BRIGADE
SUPERSEDES TIOH DRAWING No. A-1-595 DATED 07 SEPTEMBER 1976

UNLESS OTHERWISE
 SPECIFIED DIMENSIONS
 ARE IN INCHES
 TOLERANCES ON
 FRACTIONS DECIMALS
 ANGLES

MATERIALS:
 TO BE MANUFACTURED
 IN ACCORDANCE WITH
 MIL-DTL-14652

EXAMINED	TLC	
CHECKED	pm	SAO
PREPARED	CLHIII	

APPROVED

 CHARLES V. MUGNO
 DIRECTOR

THE INSTITUTE OF HERALDRY, DEPARTMENT OF THE ARMY
 9325 GUNSTON RD, RM S-113 FORT BELVOIR, VA 22060-5579

SHOULDER SLEEVE INSIGNIA
EIGHTY-FIFTH
CIVIL AFFAIRS BRIGADE

SIZE	CONTROL IDENT. NO	A - 1 - 595
A	22571	
SCALE	FULL	DATE
		03 FEBRUARY 2011